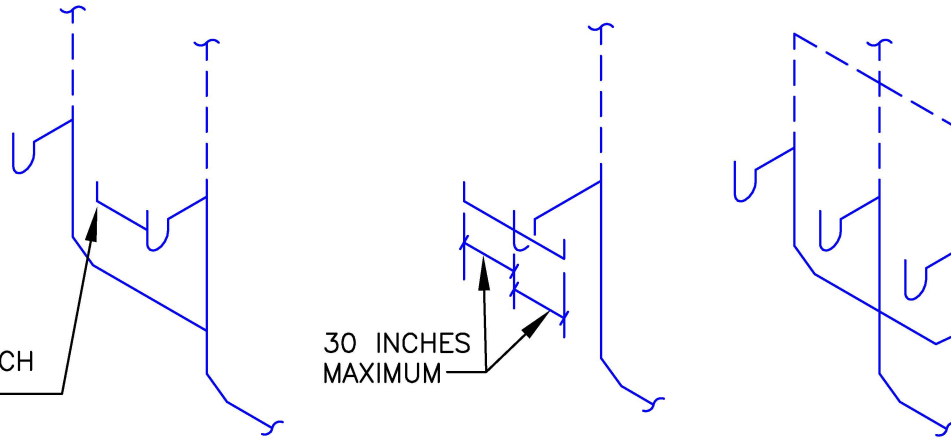


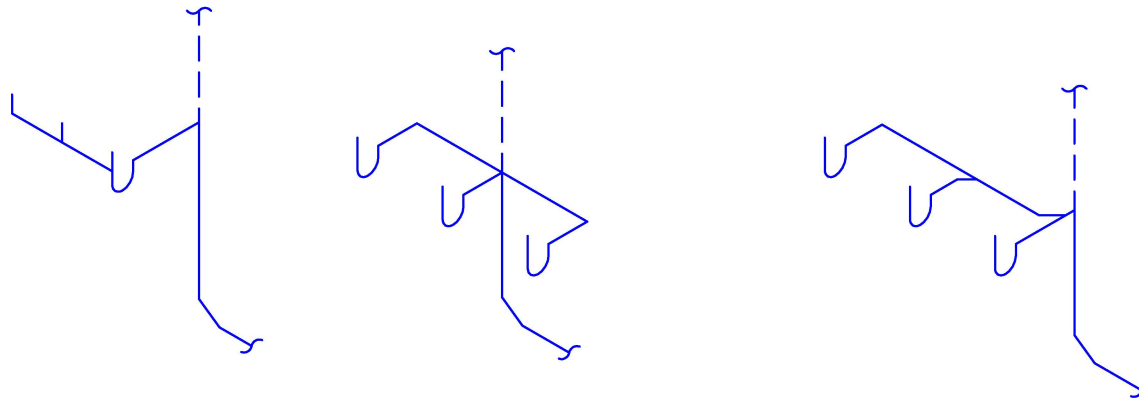
CODE
COMPLIANT
INSTALLATIONS

MINIMUM 2-INCH
OUTLET (TYP)



30 INCHES
MAXIMUM

INCORRECT
INSTALLATIONS



MINNESOTA RULES, CHAPTER 4714, SECTION 420.3:

– POT OR SCULLERY SINKS MUST BE PROVIDED WITH WASTE OUTLETS NOT LESS THAN 2 INCHES IN DIAMETER.

MINNESOTA RULES, CHAPTER 4714, SECTION 1001.1:

– A SINGLE TRAP MAY SERVE A SET OF NOT MORE THAN THREE SINGLE COMPARTMENT SINKS OF THE SAME DEPTH WHERE THE WASTE OUTLETS ARE NOT MORE THAN 30 INCHES APART AND THE TRAP IS CENTRALLY LOCATED. FOOD WASTE DISPOSAL UNITS MUST BE CONNECTED TO A SEPARATE TRAP.